



# Illustrated Parts List

## Model Series

# 44M700

TYPE NUMBERS  
0110 through 0121.

### TABLE OF CONTENTS

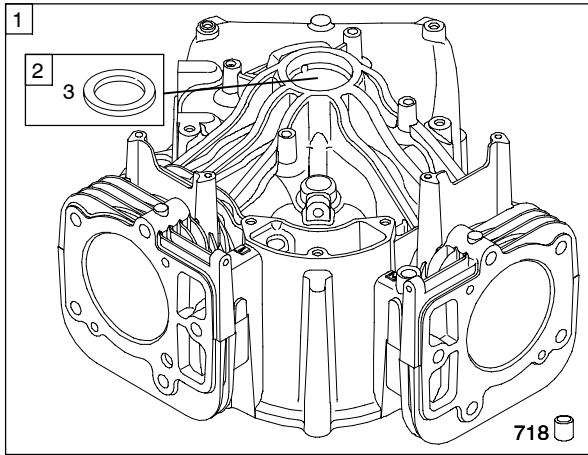
<b>Air Cleaner</b> .....	6
<b>Alternators</b> .....	8
<b>Blower Housing/Shrouds</b> .....	6
<b>Camshaft</b> .....	3
<b>Carburetor</b> .....	5
<b>Controls</b> .....	7
<b>Crankshaft</b> .....	3
<b>Cylinder</b> .....	2
<b>Cylinder Head</b> .....	4
<b>Engine Sump</b> .....	2
<b>Electric Starter</b> .....	7
<b>Exhaust System</b> .....	5
<b>Flywheel</b> .....	7
<b>Gasket Set-Engine</b> .....	2
<b>Gasket Set - Valve</b> .....	4
<b>Ignition</b> .....	8
<b>Kit- Carburetor Overhaul</b> .....	5
<b>Lubrication</b> .....	3
<b>Piston, Rings, Connecting Rod</b> .....	3
<b>Valves</b> .....	4



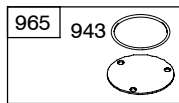
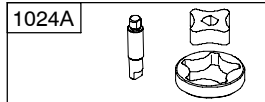
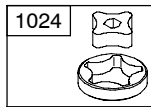
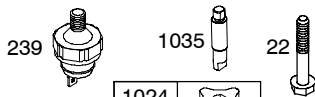
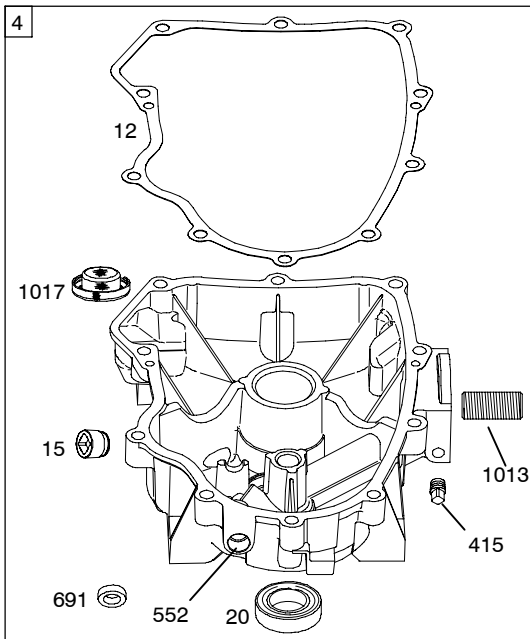
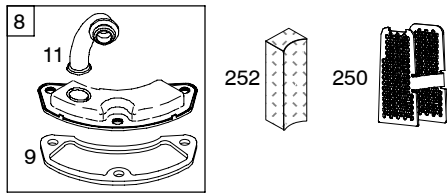
PRINTED IN U.S.A.

COPYRIGHT by BRIGGS & STRATTON CORPORATION  
All rights reserved. No part of this material may be reproduced or transmitted, in any form or by any means, electronic or mechanical, including photocopying, recording or by any information storage and retrieval system, without permission in writing from Briggs & Stratton Corporation.

# 44M700



10

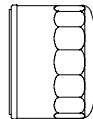
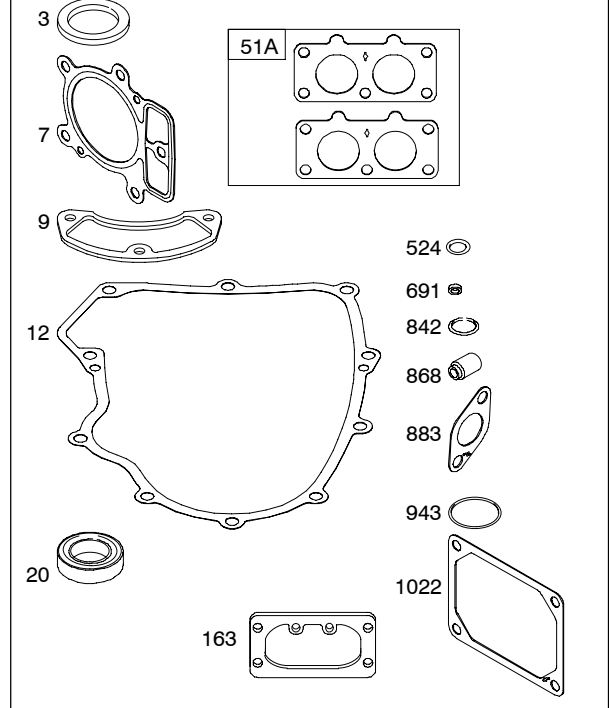


750

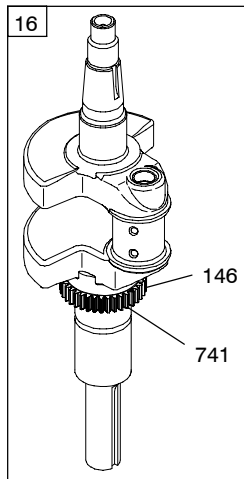
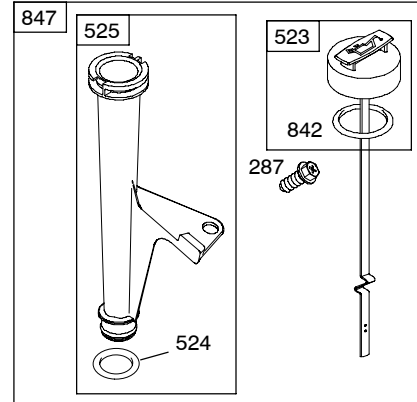
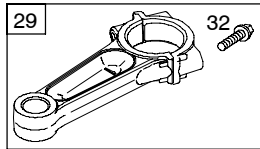
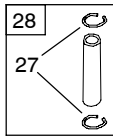
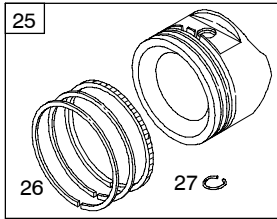
1058 OPERATOR'S MANUAL

1330 REPAIR MANUAL

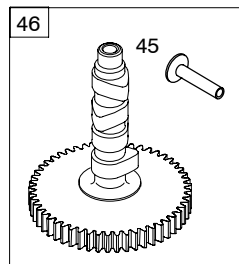
## 358A ENGINE GASKET SET



Illustrations cover a range of engines. Parts shown without corresponding text may not be used on your specific engine.

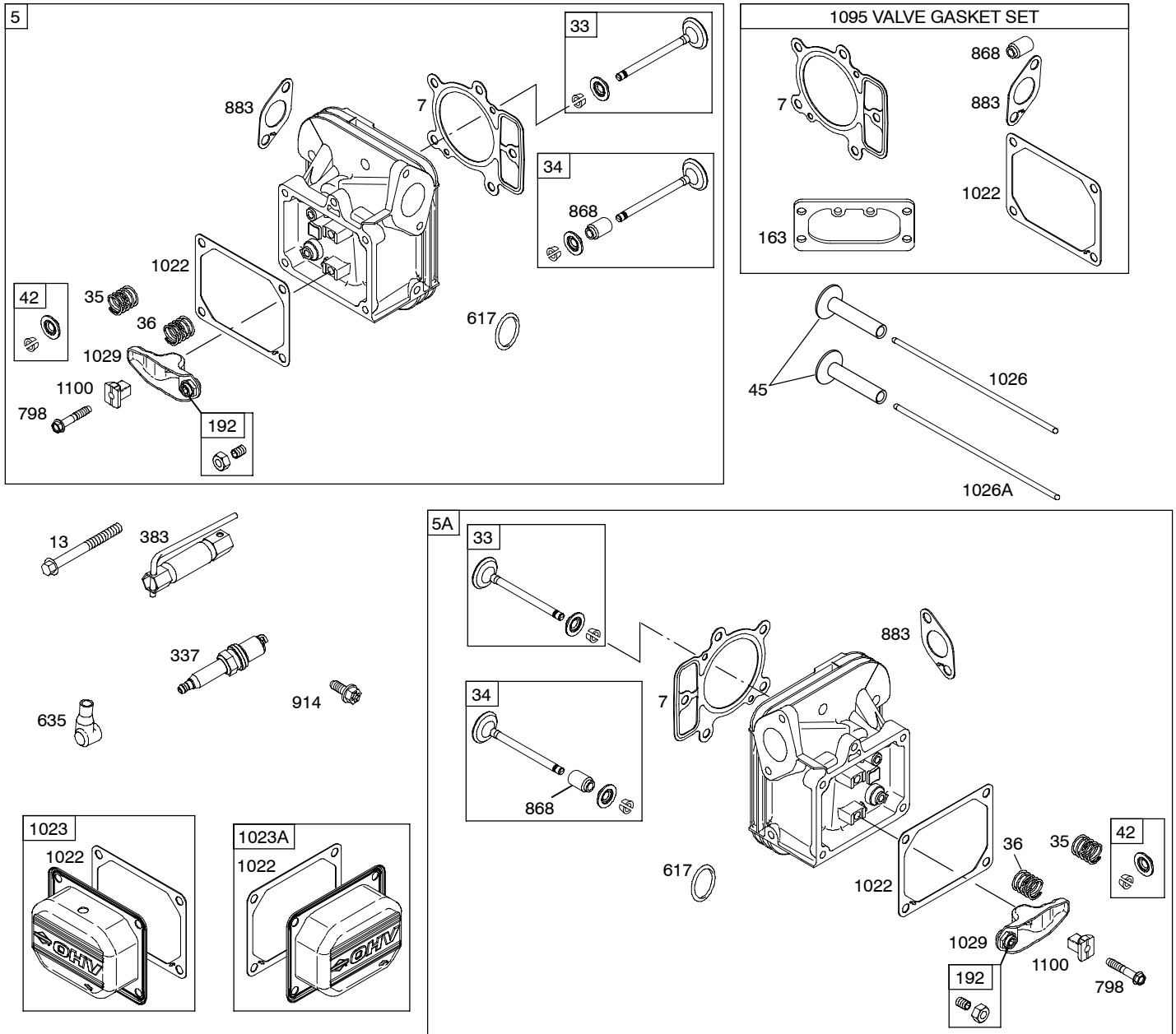


24

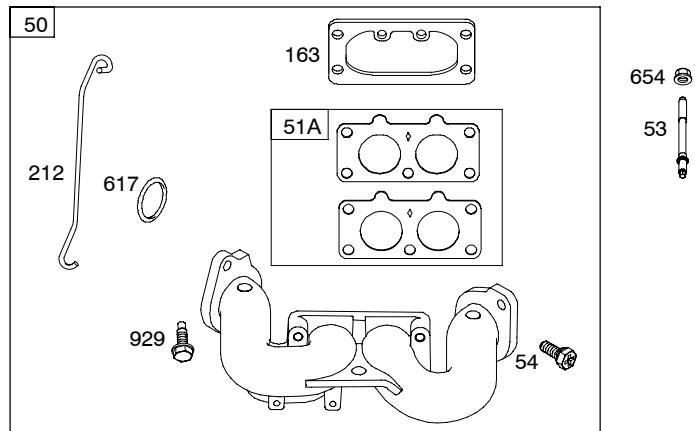
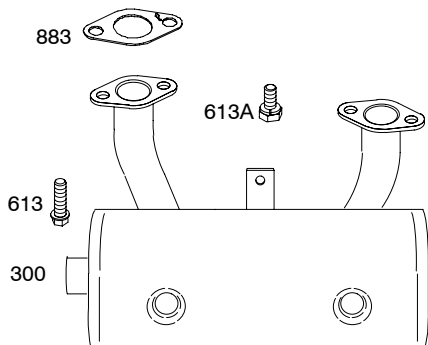
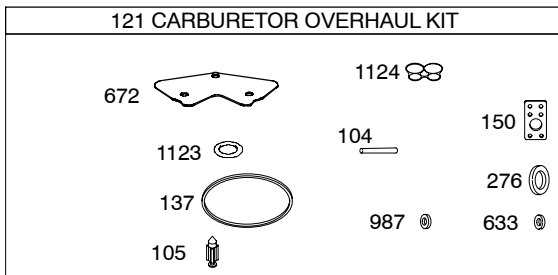
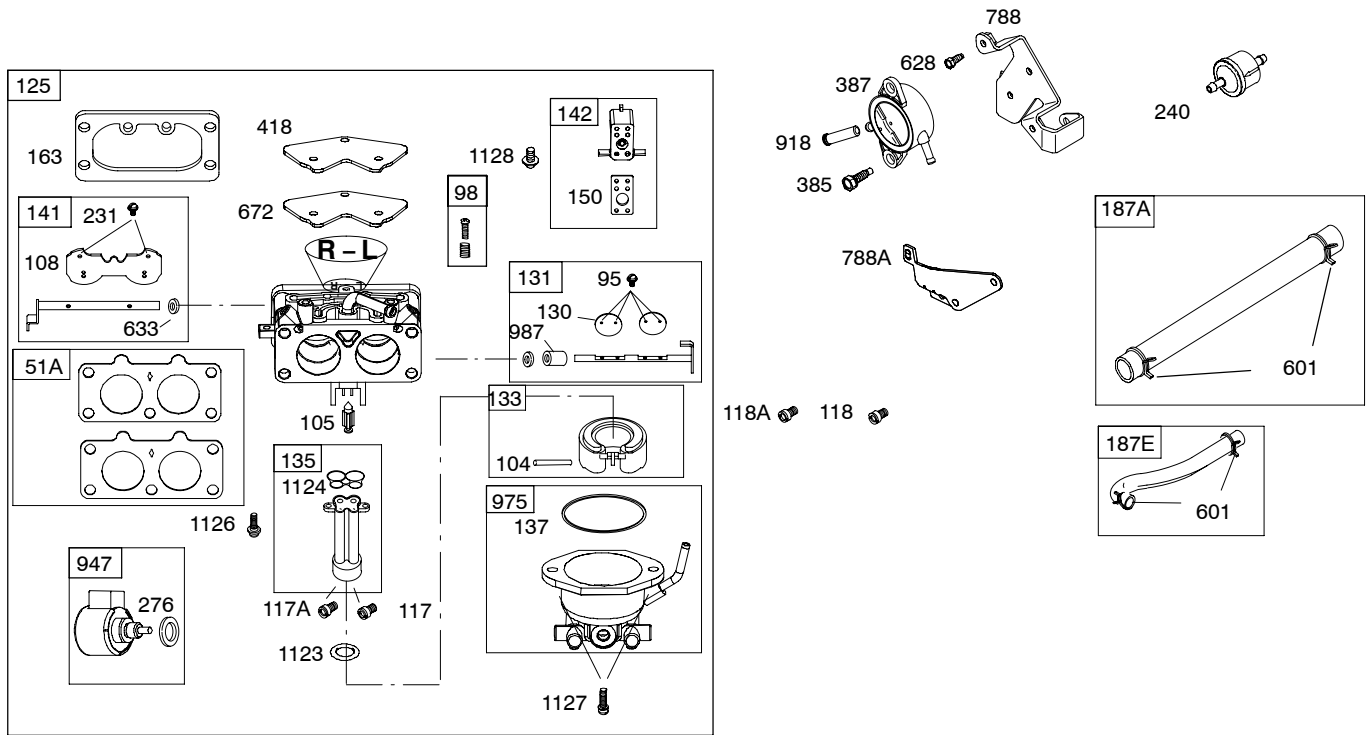


Illustrations cover a range of engines. Parts shown without corresponding text may not be used on your specific engine.  
 3563-3 Assemblies include all parts shown in frames. 04/26/2007

# 44M700

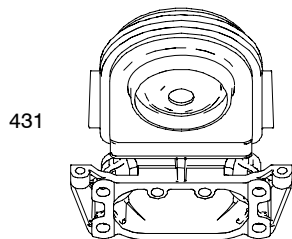
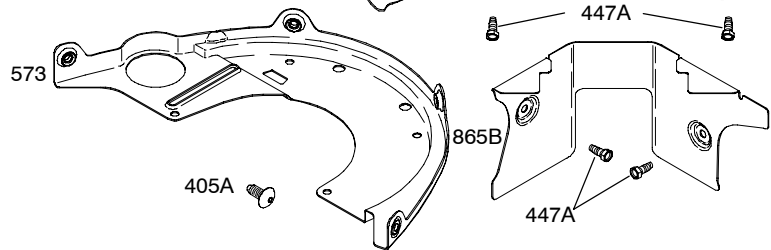
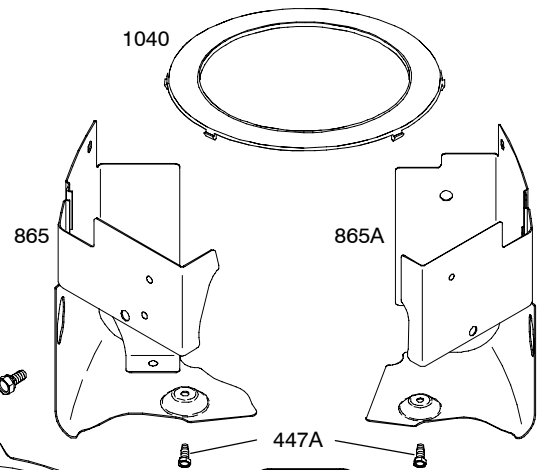
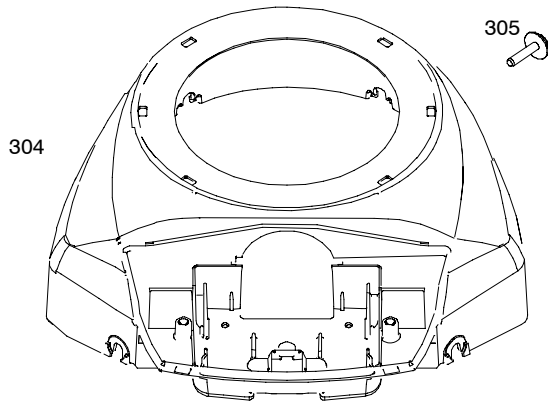
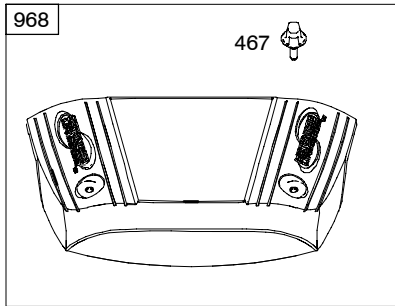


Illustrations cover a range of engines. Parts shown without corresponding text may not be used on your specific engine.

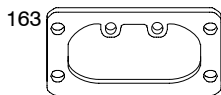
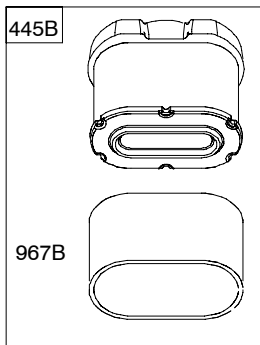


*Illustrations cover a range of engines. Parts shown without corresponding text may not be used on your specific engine.*

# 44M700

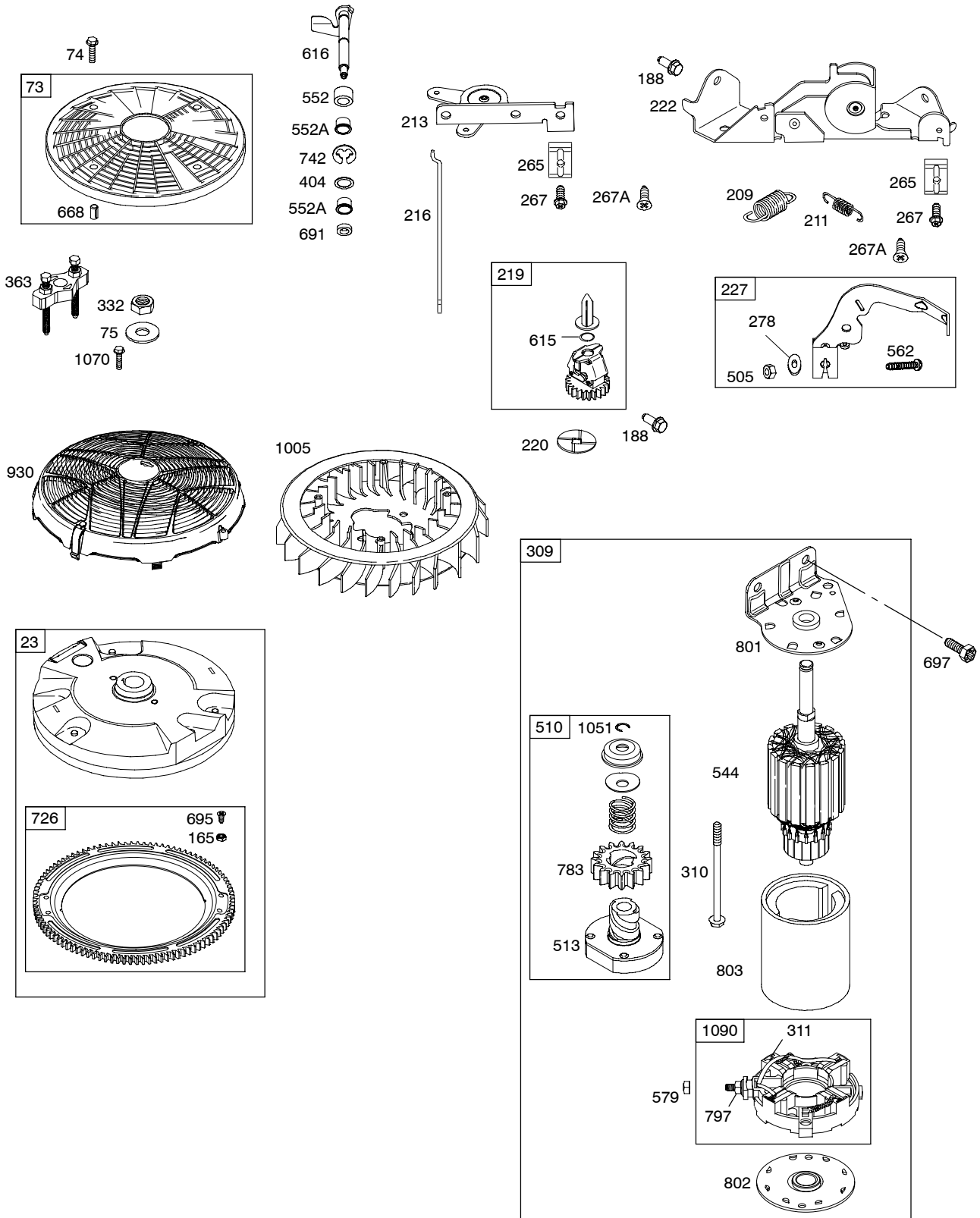


1036 EMISSIONS LABEL

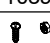


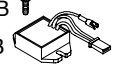



Illustrations cover a range of engines. Parts shown without corresponding text may not be used on your specific engine.  
3563-6 Assemblies include all parts shown in frames.

04/26/2007



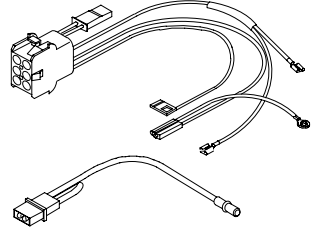
Illustrations cover a range of engines. Parts shown without corresponding text may not be used on your specific engine.  
 3563-7 Assemblies include all parts shown in frames.

10 - 16 AMP	
474B	1059 
877B 	
578A 	
526B 501B 	

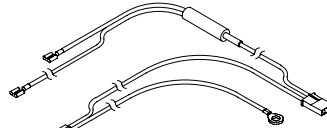
**NOTE:** All stators use a No. 1119 mounting screw. 

**NOTE:** The proper flywheel part number and/or the alternator magnet size will determine the alternator type or output. See repair instruction manual for additional information.

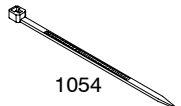
789B

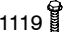



789A




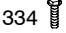
789D

  
1054

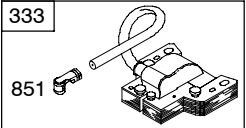
  
1119

  
729

  
635

  
334

333



851



# 44M700

REF. NO.	PART NO.	DESCRIPTION	REF. NO.	PART NO.	DESCRIPTION	REF. NO.	PART NO.	DESCRIPTION
1	699753	Cylinder Assembly	27	690975	Lock-Piston Pin	125	792295	Carburetor
2	499585	Kit-Bushing/Seal (Magneto Side)	28	690229	Pin-Piston (Standard)	130	690993	Valve-Throttle
3	★391086s	Seal-Oil (Magneto Side)	29	699699	Rod-Connecting (Standard)	131	499805	Kit-Throttle Shaft
4	699747	Sump-Engine	32	690976	Screw (Connecting Rod)	133	●699724	Float-Carburetor
5	792299	Head-Cylinder (Cylinder 1)	33	697576	Valve-Exhaust	135	●699729	Tube-Fuel Transfer
5A	792300	Head-Cylinder (Cylinder 2)	34	792200	Valve-Intake	137	●690994	Gasket-Float Bowl
7	★Δ693997	Gasket-Cylinder Head	35	694865	Spring-Valve (Intake)	141	699722	Kit-Choke Shaft
8	792185	Breather Assembly	36	694865	Spring-Valve (Exhaust)	142	●699726	Nozzle-Carburetor
9	★690937	Gasket-Breather	42	499586	Keeper-Valve	146	690979	Key-Timing
10	691108	Screw (Breather Assembly)	45	690977	Tappet-Valve	150	●690995	Gasket-Nozzle
11	792184	Tube-Breather	46	792555	Camshaft	163	★Δ691001	Gasket-Air Cleaner
12	★697227	Gasket-Crankcase	50	695241	Manifold-Intake	165	693148	Nut (Ring Gear)
13	791130	Screw (Cylinder Head)	51A	★791677	Gasket-Intake	187A	791766	Line-Fuel (Length 15")(Cut to Required Length)
15	690946	Plug-Oil Drain	53	690951	Stud (Carburetor)	187E	791801	Line-Fuel (Molded)
16	699700	Crankshaft	54	699816	Screw (Intake Manifold)	188	691108	Screw (Control Bracket)
20	★791892	Seal-Oil (PTO Side)	73	494439	Screen-Rotating	192	690083	Adjuster-Rocker Arm
22	694966	Screw (Crankcase Cover/Sump)	74	698425	Screw (Rotating Screen)	209	793343	Spring-Governor (Purple) (Used After Code Date 06081400). Used on Type No(s). 0110.
23	691053	Flywheel	75	691056	Washer (Flywheel)			----- <b>Note</b> ----- <b>793340</b> Spring-Governor (Orange) (Used After Code Date 06081400). Used on Type No(s). 0113.
24	222698s	Key-Flywheel	95	690718	Screw (Throttle Valve)			<b>698071</b> Spring-Governor (White) (Used Before Code Date 06081500). Used on Type No(s). 0110, 0113.
25	792117	Piston Assembly (Standard) ----- <b>Note</b> ----- 792144 Piston Assembly (.020" Oversize)	98	699721	Kit-Idle Speed			<b>793343</b> Spring-Governor (Purple) Used on Type No(s). 0115, 0118, 0119, 0121.
26	792026	Ring Set (Standard) ----- <b>Note</b> ----- 792073 Ring Set (.020" Oversize)	104	●694918	Pin-Float Hinge			
			105	●698537	Valve-Float Needle			
			108	699723	Valve-Choke			
			117	792296	Jet-Main (Standard) (Left) (Nikki)			
			117A	842627	Jet-Main (Standard) (Right) (Nikki)			
			118	699457	Jet-Main (High Altitude) (Left) (Nikki)			
			118A	699733	Jet-Main (High Altitude) (Right) (Nikki)			
			121	792455	Kit-Carburetor Overhaul			

★ Included in Engine Gasket Set-Ref. No.358.

● Included in Carburetor Overhaul Kit-Ref. No. 121.

Δ Included in Valve Gasket Set-Ref. No 1095.

*Illustrations cover a range of engines. Parts shown without corresponding text may not be used on your specific engine.*

# 44M700

REF. NO.	PART NO.	DESCRIPTION	REF. NO.	PART NO.	DESCRIPTION	REF. NO.	PART NO.	DESCRIPTION
211	691019	Spring-Governed Idle	239	792028	Switch-Oil Pressure	333	691060	Armature-Magneto
212	695238	Link-Throttle			----- <b>Note</b> -----	334	691061	Screw
213	691021	Bracket-Choke Control		697049	Switch-Oil Pressure			(Magneto Armature)
216	691022	Link-Choke			Used on Type No(s). 0118.	337	491055s	Plug-Spark
219	793338	Gear-Governor (Used After Code Date 06081400). ----- <b>Note</b> ----- <b>698231</b> Gear-Governor (Used Before Code Date 06081500).	240	695666	Filter-Fuel			Used on Type No(s). 0110, 0115, 0119.
			250	690957	Retainer-Breather			----- <b>Note</b> -----
			252	690956	Collector-Oil		793541	Plug-Spark
			265	691024	Clamp-Casing			Used on Type No(s). 0113.
			267	691044	Screw (Casing Clamp)		792015	Plug-Spark
			267A	695134	Screw (Casing Clamp)			Used on Type No(s). 0118.
220	690412	Washer (Governor Gear)			Used on Type No(s). 0115, 0118, 0119.		691043	Plug-Spark
222	698761	Bracket-Control						Used on Type No(s). 0121.
227	792492	Lever-Governor Control	276	★695410	Washer-Sealing			
231	690718	Screw (Choke Valve)	278	792651	Washer (Governor Control Lever)	358A	694012	Gasket Set-Engine
						363	19203	Puller-Flywheel
			287	691108	Screw (Dipstick Tube)	383	19374s	Wrench-Spark Plug
			300	696226	Muffler			
			304	792301	Housing-Blower			
			305	691005	Screw (Blower Housing) (21/32" Long)			
			305B	790690	Screw (Blower Housing to Intake Elbow) (11/16" Long)			
			309	499521	Motor-Starter			
			310	691263	Screw (Starter Motor)			
			311	497608	Brush Set			
			332	691059	Nut (Flywheel)			

★ Included in Engine Gasket Set-Ref. No.358.

● Included in Carburetor Overhaul Kit-Ref. No. 121.

△ Included in Valve Gasket Set-Ref. No 1095.

**Illustrations cover a range of engines. Parts shown without corresponding text may not be used on your specific engine.**

# 44M700

REF. NO.	PART NO.	DESCRIPTION	REF. NO.	PART NO.	DESCRIPTION	REF. NO.	PART NO.	DESCRIPTION
385	691108	Screw (Fuel Pump)	562	690311	Bolt (Governor Control Lever)	801	691283	Cap-Drive
387	808656	Pump-Fuel	573	790444	Plate-Back	802	691286	Cap-End
404	690442	Washer (Governor Crank)	578A	691208	Wire Assembly	803		Housing-Starter (Serviced By 499521 Starter Only)
405A	697820	Screw (Back Plate)	579	691029	Nut (Starter Cable)	842	★691031	Seal-O Ring (Dipstick Tube)
415	690283	Plug (Engine Sump)	601	691038	Clamp-Hose	847	499602	Dipstick/Tube Assembly
418	690999	Plate-Carburetor	613	690341	Screw (Muffler)	851	493880s	Terminal-Spark Plug
431	792297	Elbow-Intake	613A	690297	Screw (Muffler)	865	691012	Cover-Air Guide (Cylinder 1)
445B	792105	Filter-Air Cleaner Cartridge	615	698290	Retainer-Governor Shaft	865A	793205	Cover-Air Guide (Cylinder 2)
447	691003	Screw (Air Guide Cover)	616	691045	Crank-Governor	865B	792286	Cover-Air Guide (Valley)
447A	691108	Screw (Air Guide Cover)	617	697891	Seal-O Ring (Intake Manifold)	868	★△690968	Seal-Valve
467	790697	Knob-Air Cleaner (1" Long)	628	691108	Screw (Fuel Pump Bracket)	877B	399916	Wire/Connector- Alternator
474B	696458	Alternator (10-16 Amp Circuit)	633	●690998	Seal-Choke/Throttle Shaft	883	★△690970	Gasket-Exhaust
501B	691185	Regulator	635	66538s	Boot-Spark Plug	914	691127	Screw (Rocker Cover)
505	691029	Nut (Governor Control Lever)	654	690958	Nut (Carburetor)	918	793147	Hose-Vacuum (Used After Code Date 060727600).
510	696541	Drive-Starter	668	691500	Spacer			----- <b>Note</b> ----- <b>694000</b> Hose-Vacuum (Used Before Code Date 06072800).
513	692024	Clutch-Drive	672	●690234	Gasket-Carburetor Plate	929	695239	Screw (Choke Control Bracket)
523	691036	Dipstick	691	★790574	Seal-Governor Shaft	930	794277	Guard-Rewind
524	★691032	Seal-Dipstick Tube	695	693149	Screw (Ring Gear)	943	★690589	Seal-O Ring (Oil Pump Cover)
525	691037	Tube-Dipstick	697	690372	Screw (Drive Cap)	947	841546	Solenoid-Fuel
526B	691108	Screw (Regulator)	703	691010	Clip	965	499613	Cover-Oil Pump
544		Armature-Starter (Serviced By 499521 Starter Only)	718	690959	Pin-Locating	967B	792303	Filter-Pre Cleaner
552	690552	Bushing-Governor Crank	726	499612	Gear-Ring	968	792289	Cover-Air Cleaner
552A	690553	Bushing-Governor Crank	729	694123	Clip-Wire	975	791232	Bowl-Float
			741	690980	Gear-Timing	987	●691000	Seal-Throttle Shaft
			742	690328	Retainer-E Ring	1005	791236	Fan-Flywheel
			750	696999	Screw (Oil Pump Cover)	1013	690954	Nipple-Oil Filter
			783	695708	Gear-Pinion	1017	690770	Screen-Oil Pump
			788	691039	Bracket-Fuel Pump (Used Before Code Date 06072800).	1022	★△690971	Gasket-Rocker Cover
			788A	793145	Bracket-Fuel Pump (Used After Code Date 06072700).	1023	793146	Cover-Rocker (Cylinder 1) (Used After Code Date 06072700).
			789A	790544	Harness-Wiring			----- <b>Note</b> ----- <b>499599</b> Cover-Rocker (Cylinder 1) (Used Before Code Date 06072800).
			789B	698330	Harness-Wiring	1023A	499600	Cover-Rocker (Cylinder 2)
			789D	691220	Harness-Wiring			
			797	693167	Nut (Brush Retainer)			
			798	697890	Screw (Rocker Arm)			

★ Included in Engine Gasket Set-Ref. No.358.

△ Included in Valve Gasket Set-Ref. No 1095.

● Included in Carburetor Overhaul Kit-Ref. No. 121.

*Illustrations cover a range of engines. Parts shown without corresponding text may not be used on your specific engine.*

# 44M700

REF. NO.	PART NO.	DESCRIPTION	REF. NO.	PART NO.	DESCRIPTION	REF. NO.	PART NO.	DESCRIPTION
1024	499054	Pump-Oil (Used Before Code Date 07022600).	1036		Label-Emissions (Available from a Briggs and Stratton authorized Service Dealer)	1123	●841653	Seal-O Ring (Solenoid Retainer)
1024A	794416	Pump-Oil (Used After Code Date 07022500).	1040	791237	Plate-Trim	1124	●690988	Seal-O Ring (Fuel Transfer Tube)
1026	690981	Rod-Push (Steel)	1051	691265	Ring-Retaining	1126	690991	Screw (Fuel Transfer Tube)
1026A	690982	Rod-Push (Aluminum)	1054	280275	Tie-Cable	1127	695407	Screw (Float Bowl)
1027	696854	Filter-Oil	1058	277103	Operator's Manual	1128	690990	Screw (Carburetor Nozzle)
1029	690972	Arm-Rocker	1059	698516	Kit-Screw/Washer	1330	273521	Repair Manual
1035	691042	Shaft-Pump (Used Before Code Date 07022600).	1070	690372	Screw (Flywheel Fan)			
			1090	691293	Retainer-Brush			
			1095	694013	Gasket Set-Valve			
			1100	791959	Pivot-Rocker Arm			
			1119	691183	Screw (Alternator)			

★ Included in Engine Gasket Set-Ref. No.358.

● Included in Carburetor Overhaul Kit-Ref. No. 121.

△ Included in Valve Gasket Set-Ref. No 1095.

**Illustrations cover a range of engines. Parts shown without corresponding text may not be used on your specific engine.**